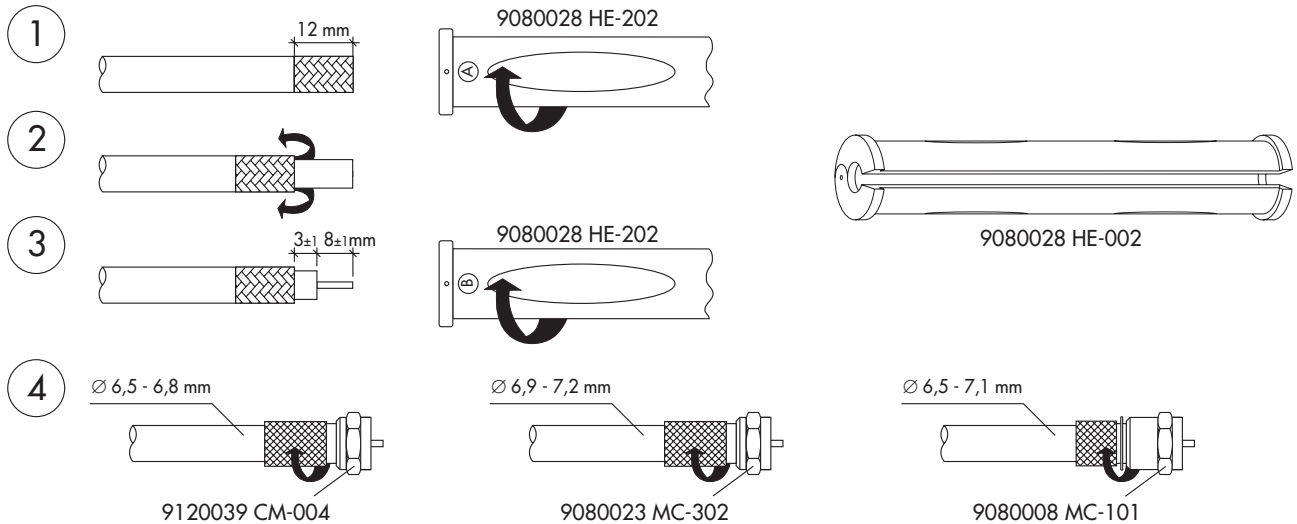
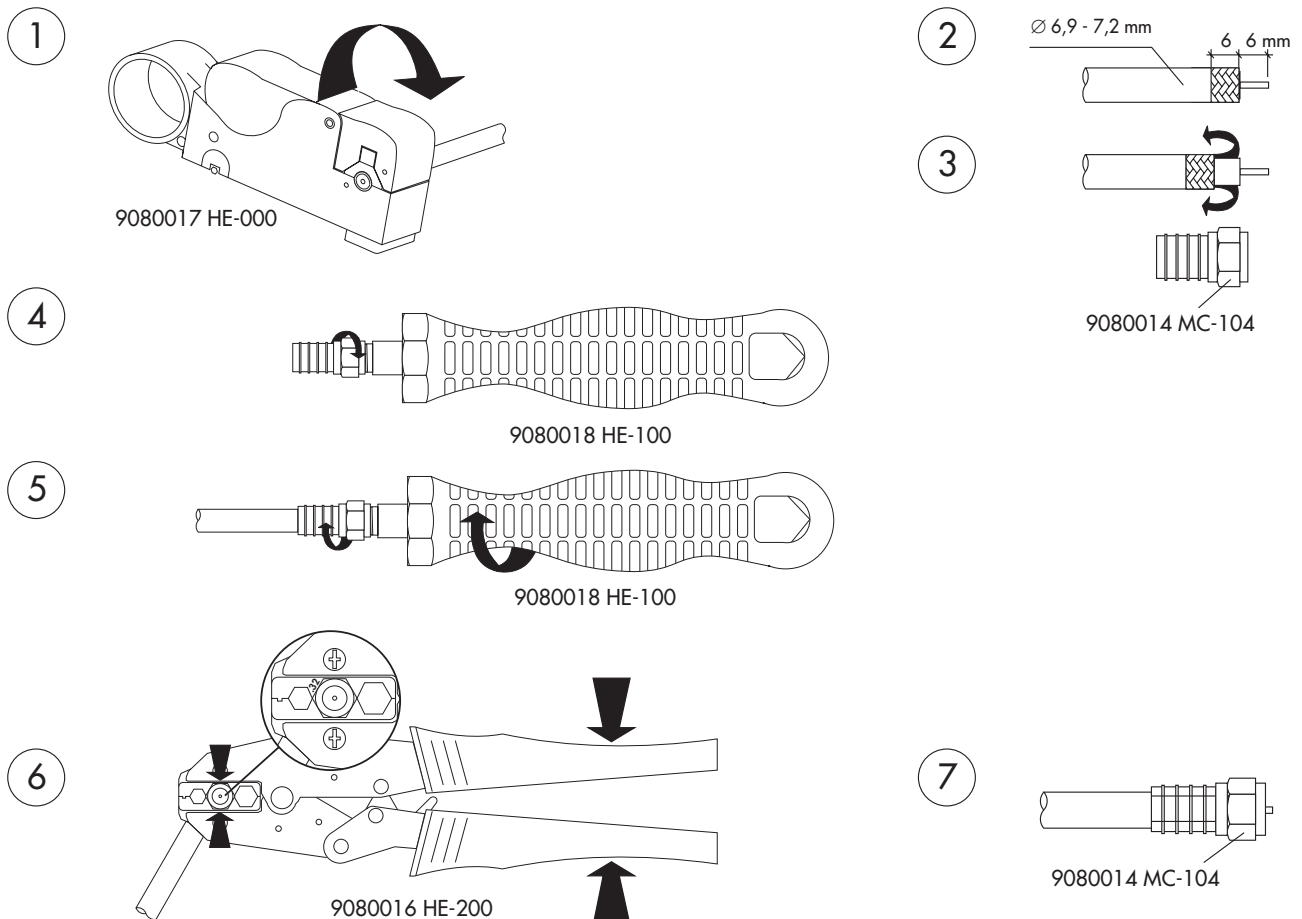


HERRAMIENTAS Y CONECTORES PARA CABLE COAXIAL TOOLS AND CONNECTORS FOR COAXIAL CABLE OUTILS ET CONNECTEURS POUR CÂBLE COAXIAL

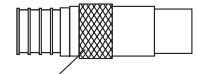
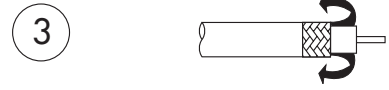
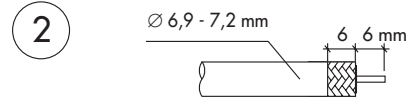
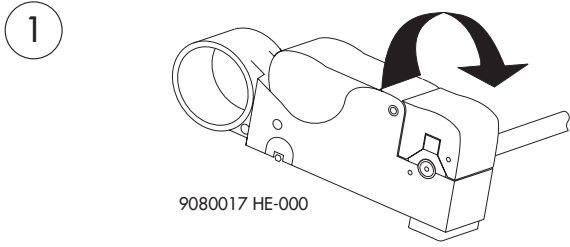
CONECTORES F MACHO BLINDADO PARA ROSCAR SOBRE CABLE COAXIAL TIPO RG-6
SHIELDED MALE F CONNECTORS TO SCREW ON TO SHIELDED RG-6 COAXIAL CABLE
CONNECTEURS F MÂLE BLINDÉ À VISSER SUR CÂBLE COAXIAL TYPE RG-6



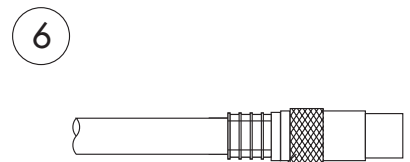
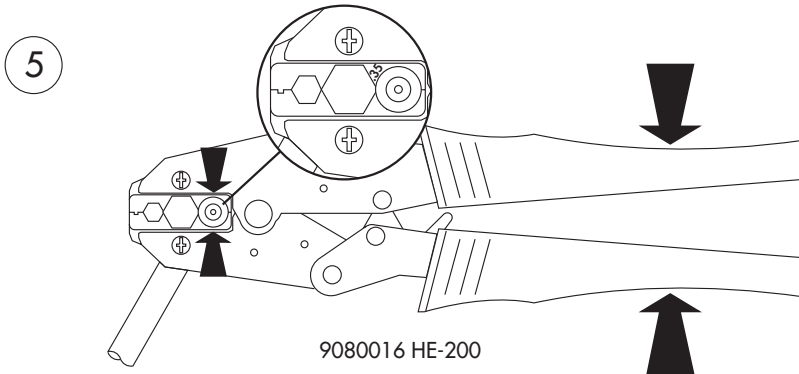
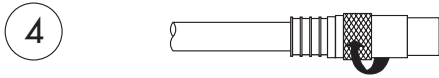
CONECTOR F MACHO BLINDADO PARA CRIMPAR SOBRE CABLE COAXIAL $\varnothing 7,0$ mm
SHIELDED MALE F CONNECTOR TO CRIMP ON RG-6 COAXIAL CABLE, $\varnothing 7.0$ mm
CONNECTEUR F MÂLE BLINDÉ À SERTIR SUR CÂBLE COAXIAL $\varnothing 7,0$ mm



CONECTOR IEC MACHO DE 9,52 mm Ø PARA CRIMPAR SOBRE COAXIAL Ø 7,0 mm
MALE IEC CONNECTOR 9,52 mm Ø TO CRIMP ON RG-6 COAXIAL CABLE, Ø 7.0 mm
CONNECTEUR IEC MÂLE DE 9,52 mm Ø A SERTIR SUR COAXIAL Ø 7,0 mm

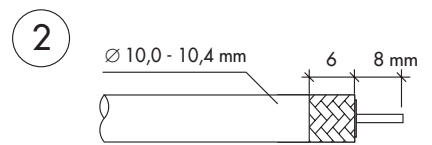
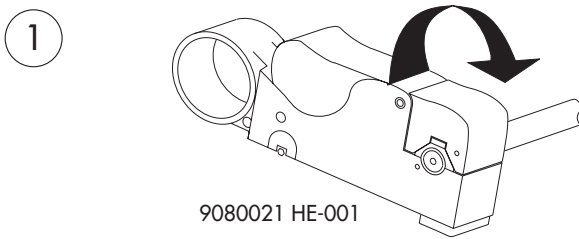


9080024 MC-004

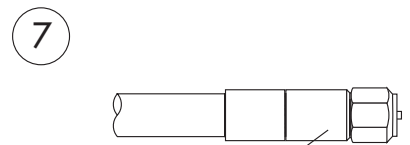
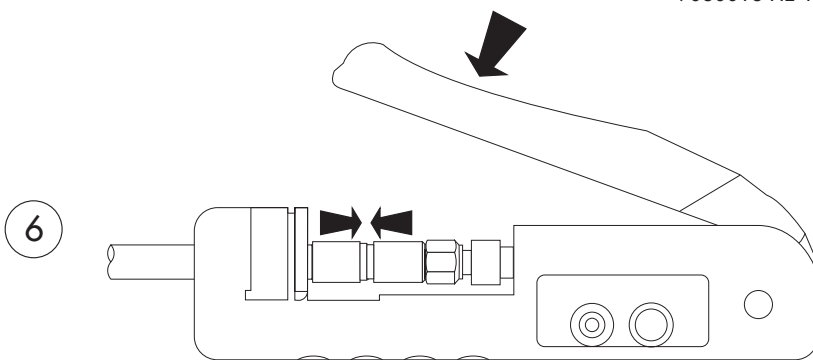
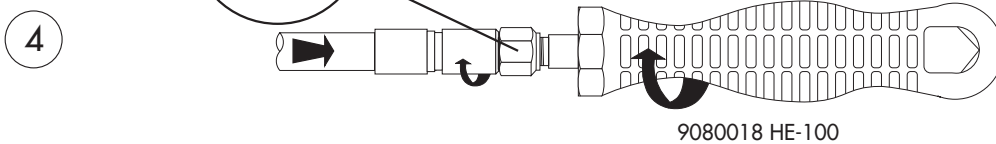
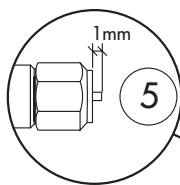
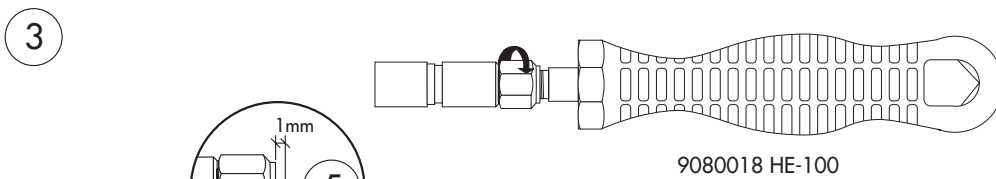


9080024 MC-004

CONECTOR F MACHO BLINDADO A COMPRESIÓN PARA CABLE COAXIAL TIPO RG-11 DE Ø10,0 A Ø10,4 mm
SHIELDED MALE F CONNECTOR TO COMPRESSION ON RG-11 COAXIAL CABLE, FROM Ø10,0 TO Ø10,4 mm
CONNECTEUR F MÂLE BLINDÉ A COMPRESSION SUR CÂBLE COAXIAL TYPE RG-11 DE Ø10,0 A Ø10,4 mm



9080015 MC-204



9080015 MC-204