



ALCAD

AMPLIFICADORES MULTIBANDA
MULTIBAND AMPLIFIERS
AMPLIFICATEURS MULTIBANDE



SERIE 904 SERIES

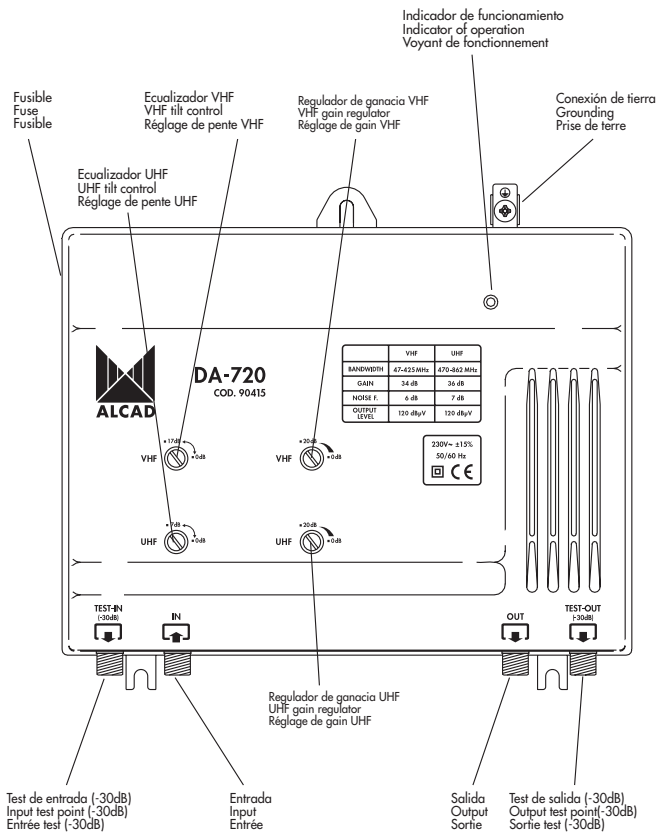
CODIGO-CODE-CODE		9040015	
MODELO-MODEL-MODELE		DA-720	
Rango de frecuencia Frequency range Gamme de frequences	Band MHz	VHF 47-422	UHF 470-862
Ganancia Gain Gain	dB	35 ± 1,0	36 ± 1,0
Regulación de ganancia Gain adjust Réglage de gain	dB	20	20
Ecuación fija Fixed equalization Pente fixe	dB	-	4
Margen de ecuación Adjustable equalization range Plage de réglage de pente	dB	17	8
Test de salida Output test point Sortie test	dB	30 ± 1,0	
Nivel de salida Output level Niveau de sortie	dB	120 DIN 45004B 117 (IMD ₃ -60 dB) 115 (IMD ₂ -60 dB) 104 (CTB -60 dB) 106 (CSO -60 dB) 102 (XMOD -60 dB)	
Pérdidas de retorno E/S Return loss I/O Pertes de retour E/S	dB	≥ 10	
Figura de ruido Noise figure Facteur de bruit	dB	≤ 7	≤ 8

DIN 45004B: 3 unequal carriers, IMD₃ at 60 dB
 IMD₃ -60 dB: 2 equal carriers, EN 50083-3
 IMD₂ -60 dB: 2 equal carriers, EN 50083-3

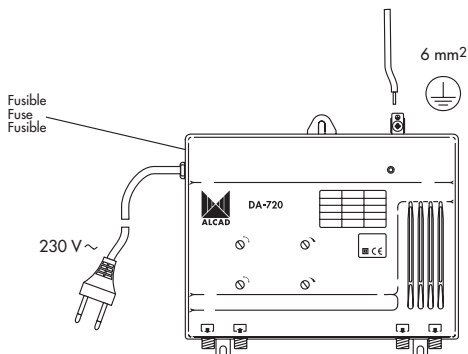
CTB -60 dB: 42 equal carriers, EN 50083-3
 CSO -60 dB: 42 equal carriers, EN 50083-3
 XMOD -60 dB: 42 equal carriers, EN 50083-3

CÓDIGO-CODE-CODE		9040015
MODELO-MODEL-MODELE		DA-720
Fusible	V~	250
Fuse	A	1,6 (Type F)
Fusible		
Tensión de red	V~	230 ±15% 50/60 Hz
Mains voltage	VA	7
Tension du secteur		
Temperatura de funcionamiento	°C	-20 ... +65
Operating temperature		
Température de fonctionnement		
Índice de protección		IP 50D
Protection index		
Indice de protection		

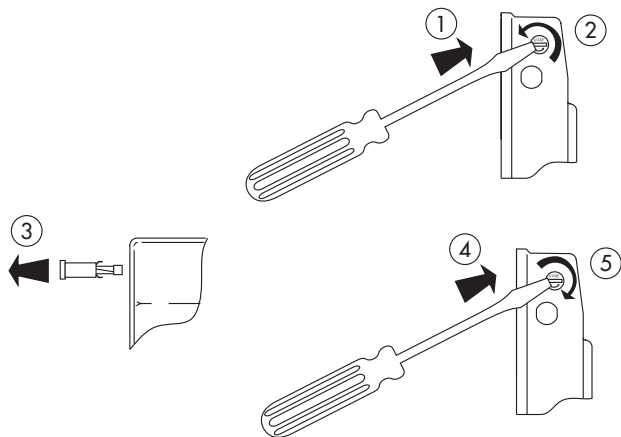
AMPLIFICADOR DA-720
AMPLIFIER DA-720
AMPLIFICATEUR DA-720



CÓMO ALIMENTAR EL AMPLIFICADOR
HOW TO FEED THE AMPLIFIER
COMMENT ALIMENTER L'AMPLIFICATEUR

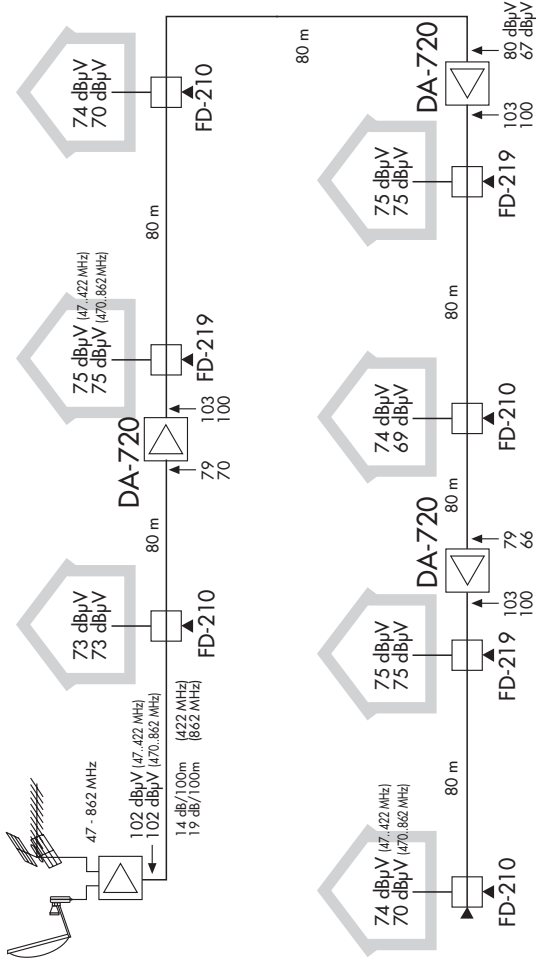


SUSTITUCIÓN DEL FUSIBLE
FUSE REPLACEMENT
REPLACEMENT DU FUSIBLE



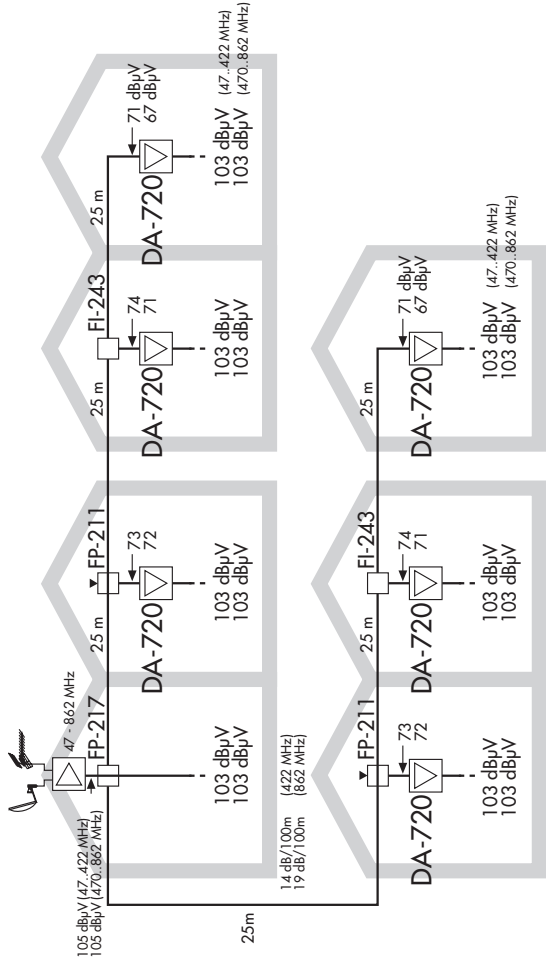
ESQUEMAS TÍPICOS
CONNECTION DIAGRAMS
SCHEMAS DE CONNEXION

10 Channels	47..862 MHz
20 Channels	47..862 MHz



ESQUEMAS TÍPICOS
 CONNECTION DIAGRAMS
 SCHEMAS DE CONNEXION

10 Channels	47..862 MHz
20 Channels	47..862 MHz





DECLARATION OF CONFORMITY

according to EN ISO/IEC 17050-1:2004

Manufacturer's Name: ALCAD, S.A.
Manufacturer's Address: Pol. Ind. Arreche-Ugalde, 1
Apdo. 455
20305 IRUN (Guipúzcoa)
SPAIN

declares that the product

Product Name: 904 Series: AMPLIFIERS

Model Number(s): DA-720

Product Option(s): INCLUDING ALL OPTIONS

is in conformity with:

Safety: EN 50083-1:1993

EMC: EN 50083-2:2001

EN 61000-6-1:2001

EN 61000-4-2:1995 ESD 15KV AD, 8KV CD.

EN 61000-4-4:1995 EFT 4KV-2,5KHz Sig. Lines, 4KV-2,5KHz Power Lines.

EN 61000-4-5:1995 CWG 1KV Power Lines.

EN 61000-4-11:1994 Dips and Variation.

Technical Features : EN50083-3:2002

Supplementary Information:

The product herewith complies with the requirements of the Low Voltage Directive 73/23/ECC and the EMC Directive 89/336/EEC and their relevant amendments, gathered under the directive 93/68/EEC.

Note: to comply with these directives, do not use the products without covers and operate the system as specified.



Irún,

06-09-06

Date

Anton Galarza / General Manager

Especificaciones sujetas a modificación sin previo aviso
Specifications subject to modifications without prior notice
Les spécifications sont soumises à de possible modifications sans avis préalable



ALCAD, S.A.
Tel. 943 63 96 60
Fax 943 63 92 66
Int. Tel. +34 - 943 63 96 60
info@alcad.net
Apdo. 455 - Pol. Ind. Arreche-Ugalde, 1
20305 IRUN - Spain

www.alcad.net

FRANCE - Hendaye
Tel. 00 34 - 943 63 96 60

GERMANY - Munich
Tel. 089 55 26 480

CZECH REPUBLIC - Ostroavice
Tel. 546 427 059

UNITED ARAB EMIRATES - Dubai
Tel. 971 4 887 19 50

POLAND - Cieszyn
Tel. 48 33 851 06 35



ISO 9001

