



# ALCAD

AMPLIFICADORES MULTIBANDA  
MULTIBAND AMPLIFIERS  
AMPLIFICATEURS MULTIBANDE



**SERIE 904 SERIES**

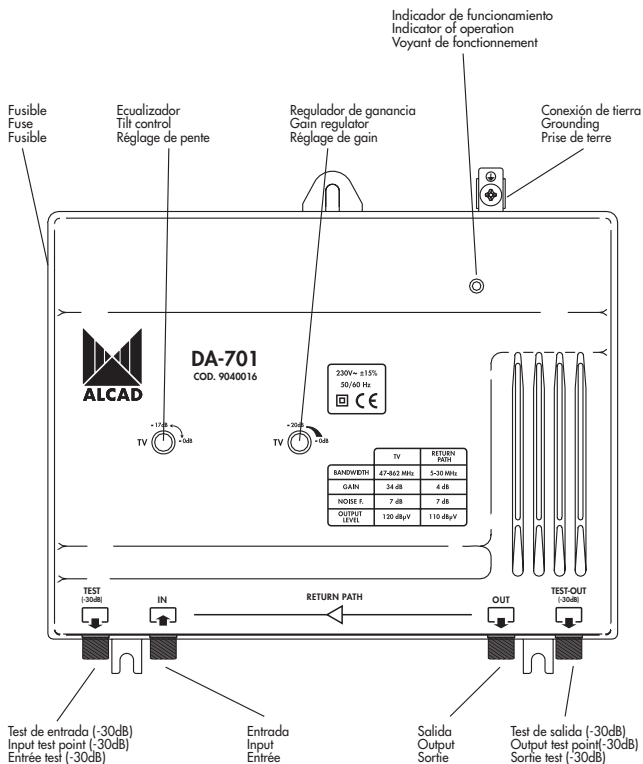
CODIGO-CODE-CODE		9040016		9040019	
MODELO-MODEL-MODELE		DA-701		DA-703	
Rango de frecuencia Frequency range Gamme de frequences	Band MHz	RETURN 5-30	TV 47-862	RETURN 5-65	TV 86-862
Ganancia Gain Gain	dB	4 ± 0,5	34 ± 1,0	6 ± 0,5	34 ± 1,0
Regulación de ganancia Gain adjust Réglage de gain	dB	-	20	-	20
Ecuación fija Fixed equalization Pente fixe	dB	2,5	3	3,5	3
Margen de ecuación Adjustable equalization range Plage de réglage de pente	dB	-	17	-	16
Test de salida Output test point Sortie test	dB	30 ± 0,5	30 ± 2,0	30 ± 0,5	30 ± 2,0
Nivel de salida Output level Niveau de sortie	dB	107 DIN 45004B 104 (IMD <sub>3</sub> -60 dB) 90 (IMD <sub>2</sub> -60 dB)	120 DIN 45004B 117 (IMD <sub>3</sub> -60 dB) 110 (IMD <sub>2</sub> -60 dB) 105 (CTB -60 dB) 105 (CSO -60 dB) 104 (XMOD -60 dB)	107 DIN 45004B 104 (IMD <sub>3</sub> -60 dB) 90 (IMD <sub>2</sub> -60 dB)	120 DIN 45004B 117 (IMD <sub>3</sub> -60 dB) 110 (IMD <sub>2</sub> -60 dB) 105 (CTB -60 dB) 105 (CSO -60 dB) 104 (XMOD -60 dB)
Pérdidas de retorno E/S Return loss I/O Pertes de retour E/S	dB	≥14	≥16 -1,5/octave	≥14	≥16 -1,5/octave
Figura de ruido Noise figure Facteur de bruit	dB	≤7			

DIN 45004B: 3 unequal carriers, IMD<sub>3</sub> at 60 dB  
IMD<sub>3</sub> -60 dB: 2 equal carriers, EN 50083-3  
IMD<sub>2</sub> -60 dB: 2 equal carriers, EN 50083-3

CTB -60 dB: 42 equal carriers, EN 50083-3  
CSO -60 dB: 42 equal carriers, EN 50083-3  
XMOD -60 dB: 42 equal carriers, EN 50083-3

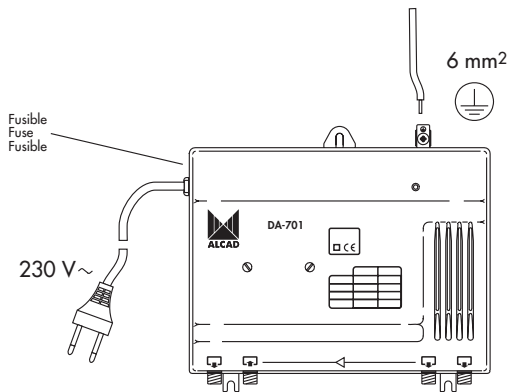
CÓDIGO-CODE-CODE		9040016	9040019
MODELO-MODEL-MODELE		DA-701	DA-703
Fusible	V~	250	
Fuse	A	1,6 (Type F)	
Fusible			
Tensión de red	V~	230 ±15% 50/60 Hz	
Mains voltage	VA	8	
Tension du secteur			
Temperatura de funcionamiento	°C	-20 ... +65	
Operating temperature			
Température de fonctionnement			
Índice de protección		IP 50D	
Protection index			
Indice de protection			

**AMPLIFICADOR DA-701**  
**AMPLIFIER DA-701**  
**AMPLIFICATEUR DA-701**



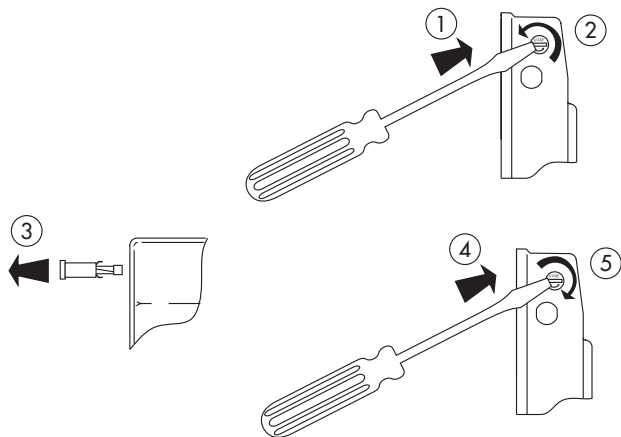
CÓMO ALIMENTAR EL AMPLIFICADOR  
HOW TO FEED THE AMPLIFIER  
COMMENT ALIMENTER L'AMPLIFICATEUR

---



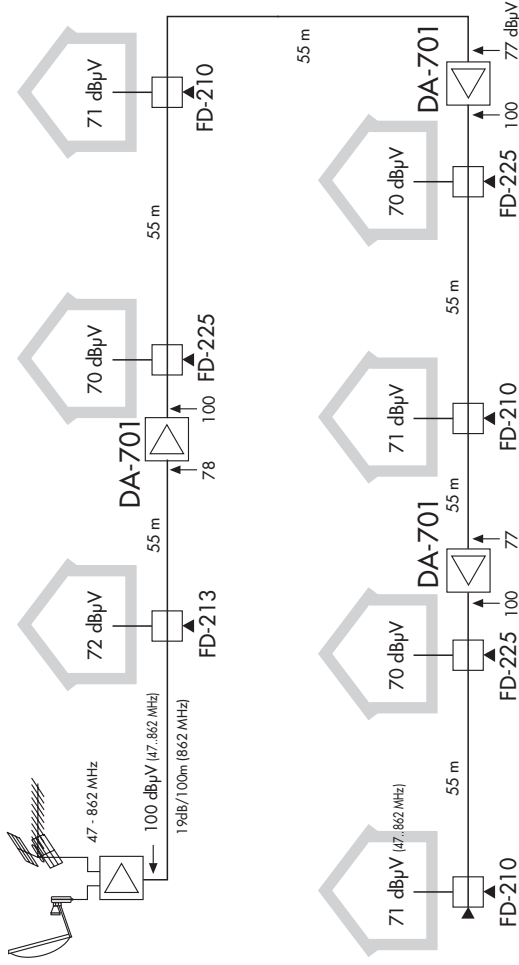
SUSTITUCIÓN DEL FUSIBLE  
FUSE REPLACEMENT  
REPLACEMENT DU FUSIBLE

---



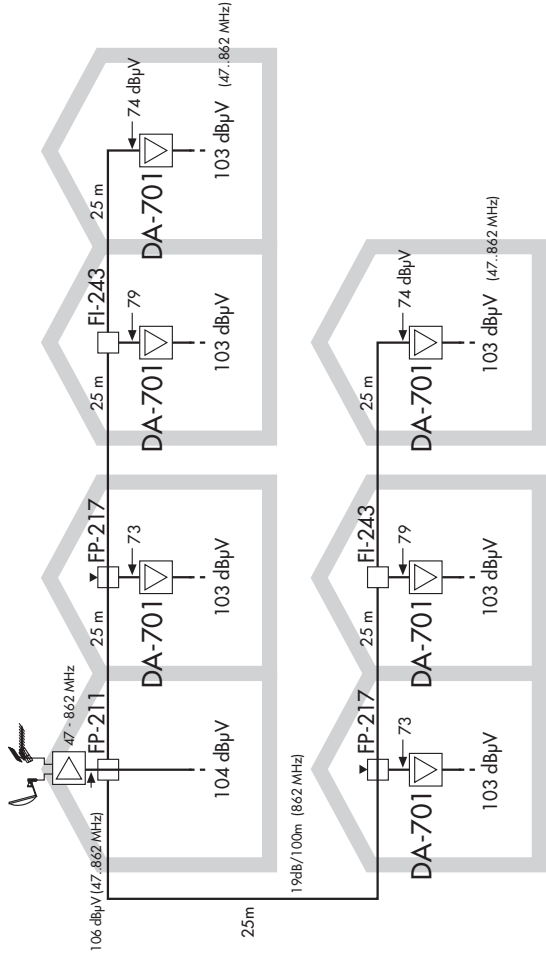
ESQUEMAS TÍPICOS  
 CONNECTION DIAGRAMS  
 SCHEMAS DE CONNEXION

⌈#	10 Channels	47..862 MHz
⌋	20 Channels	47..862 MHz



ESQUEMAS TÍPICOS  
 CONNECTION DIAGRAMS  
 SCHEMAS DE CONNEXION

⌈#	10 Channels	47..862 MHz
⌋	20 Channels	47..862 MHz





## DECLARATION OF CONFORMITY

according to EN ISO/IEC 17050-1:2004

**Manufacturer's Name:** ALCAD, S.A.  
**Manufacturer's Address:** Pol. Ind. Arreche-Ugalde, 1  
Apdo. 455  
20305 IRUN (Guipúzcoa)  
SPAIN

declares that the product

**Product Name:** 904 Series: AMPLIFIERS

**Model Number(s):** DA-701, DA-703

**Product Option(s):** INCLUDING ALL OPTIONS

is in conformity with:

Safety: EN 50083-1:1993

EMC: EN 50083-2:2001

EN 61000-6-1:2001

EN 61000-4-2:1995 ESD 15KV AD, 8KV CD.

EN 61000-4-4:1995 EFT 4KV-2,5KHz Sig. Lines, 4KV-2,5KHz Power Lines.

EN 61000-4-5:1995 CWG 1KV Power Lines.

EN 61000-4-11:1994 Dips and Variation.

Technical Features : EN50083-3:2002

### Supplementary Information:

The product herewith complies with the requirements of the Low Voltage Directive 73/23/ECC and the EMC Directive 89/336/EEC and their relevant amendments, gathered under the directive 93/68/EEC.

Note: to comply with these directives, do not use the products without covers and operate the system as specified.



Irún,

06-09-06

Date

Anton Galarza / General Manager

Especificaciones sujetas a modificación sin previo aviso  
Specifications subject to modifications without prior notice  
Les spécifications sont soumises à de possible modifications sans avis préalable



ALCAD, S.A.  
Tel. 943 63 96 60  
Fax 943 63 92 66  
Int. Tel. +34 - 943 63 96 60  
info@alcad.net  
Apdo. 455 - Pol. Ind. Arreche-Ugalde, 1  
20305 IRUN - Spain

www.alcad.net

FRANCE - Hendaye  
Tel. 00 34 - 943 63 96 60

GERMANY - Munich  
Tel. 089 55 26 480

CZECH REPUBLIC - Ostroavice  
Tel. 546 427 059

UNITED ARAB EMIRATES - Dubai  
Tel. 971 4 887 19 50

POLAND - Cieszyn  
Tel. 48 33 851 06 35



ISO 9001

