

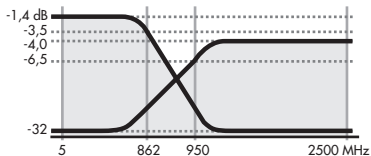


CONMUTADOR DiSEqC
DiSEqC SWITCH
COMMUTATEUR DiSEqC

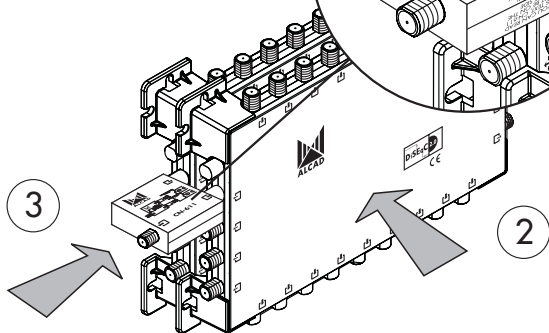
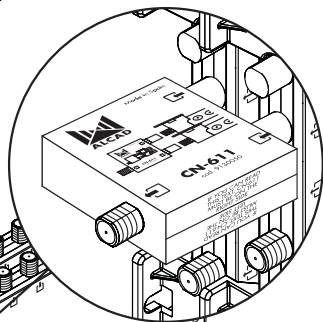
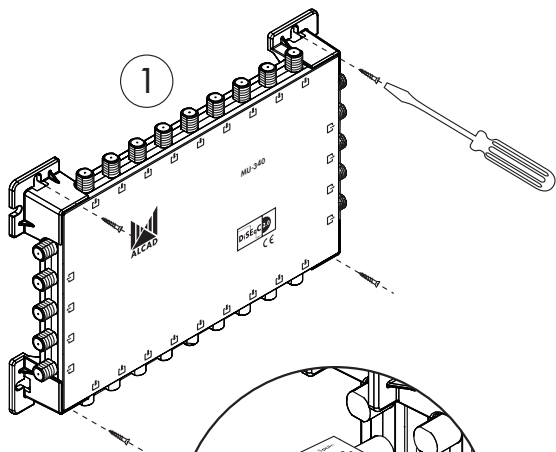


SERIE 913 SERIES

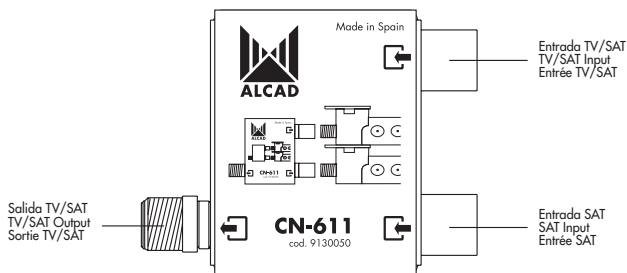
CÓDIGO-CODE-CODE		9130050		
MODELO-MODEL-MODELE		CN-611		
Entradas/salidas Inputs/outputs Entrées/sorties		2 / 1		
Rango de frecuencia Frequency range Gamme de fréquences	Band	VR/TV	SAT	
	MHz	5-862	950-2150	2150-2500
Atenuación de paso Through loss Atténuation de passage	dB ±TOL	1,4 ±1,0	4,0 ±1,0	4,0 ±1,0
Rechazo entre bandas Rejection between bands Rejection entre bandes	dB	>32		
Desacoplo Isolation Découplage	dB	>23 SAT/TV >28 SAT/SAT		
Conmutación de las entradas Switching the inputs Commutation des entrées		DiSEqC 2.0		
Consumo desde el receptor Consumption from the receiver Consommation du récepteur	mA	12 (12..20 V...)		
Paso de corriente DC path Passage d'alimentation	mA	100 (12..20 V...)		
Temperatura de funcionamiento Operating temperature Température de fonctionnement	° C	-10 .. +65		
Índice de protección Protection index Indice de protection		IP 30		



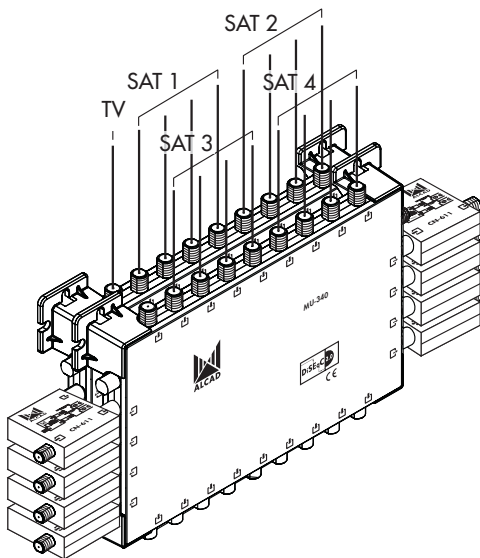
CÓMO INSTALAR EL CONMUTADOR
HOW TO INSTALL THE SWITCH
COMMENT INSTALLER LE COMMUTEUR



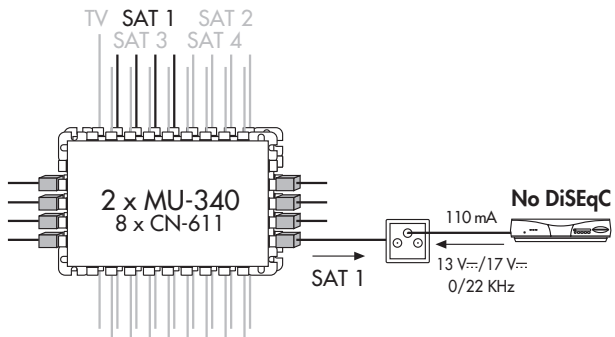
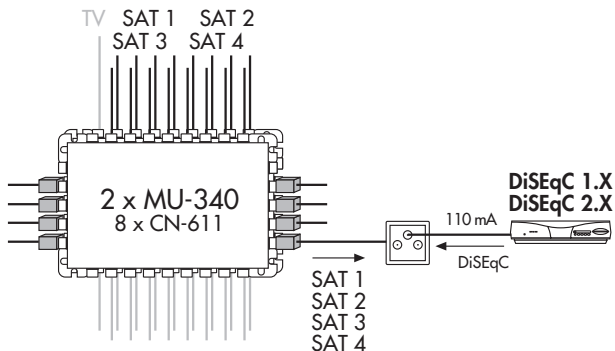
DESCRIPCIÓN DEL CN-611
CN-611 DESCRIPTION
DESCRIPTION DU CN-611



CONMUTACIÓN
SWITCHING
COMMUTATION



CONMUTACIÓN DE LAS SALIDAS
SWITCHING THE OUTPUTS
COMMUTATION DES SORTIES





DECLARATION OF CONFORMITY

according to EN ISO/IEC 17050-1:2004

Manufacturer's Name: ALCAD, S.A.
Manufacturer's Address: Pol. Ind. Arreche-Ugalde, 1
Apdo. 455
20305 IRUN (Guipúzcoa)
SPAIN

declares that the product

Product Name: 913 Series: MULTISWITCH SYSTEM

Model Number(s): CN-611

Product Option(s): INCLUDING ALL OPTIONS

is in conformity with:

Safety: EN 50083-1:1993

EMC: EN 50083-2:2001

EN 61000-6-1:2001

EN 61000-4-2:1995 8KV CD.

Technical Features : EN50083-5:2001

Supplementary Information:

The product herewith complies with the requirements of the Low Voltage Directive 73/23/ECC and the EMC Directive 89/336/EEC and their relevant amendments, gathered under the directives 93/68/EEC.

Note: to comply with these directives, do not use the products without covers and operate the system as specified.



Irún,

4-01-06

Date

Anton Galarza / General Manager

Especificaciones sujetas a modificación sin previo aviso
Specifications subject to modifications without prior notice
Les spécifications sont soumises a de possibles modifications sans avis préalable



ALCAD, S.A.
Tel. 943 63 96 60
Fax 943 63 92 66
Int. Tel. +34 - 943 63 96 60
info@alcad.net
Apdo. 455 - Pol. Ind. Arreche-Ugalde, 1
20305 IRUN - Spain

www.alcad.net

FRANCE - Hendaye
Tel. 00 34 - 943 63 96 60

GERMANY - Munich
Tel. 089 55 26 480

CZECH REPUBLIC - Ostrovacice
Tel. 546 427 063

UNITED ARAB EMIRATES - Dubai
Tel. 971 4 887 19 50

POLAND - Cieszyn
Tel. 48 33 851 07 80



ISO 9001

