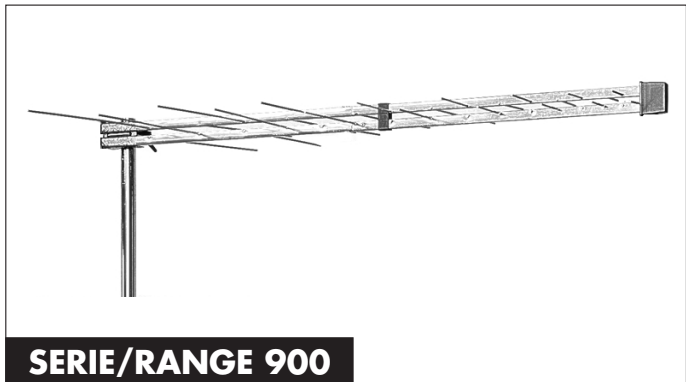




- ▶ ANTENAS TV LOGARITMICAS BANDA III - UHF
- ▶ LOGARITHMIC TV ANTENNAS III - UHF BAND
- ▶ ANTENNES TV LOGARITHMIQUES BANDE III - UHF
- ▶ ANTENAS TV LOGARITMICAS BANDA III - UHF
- ▶ LOGARITHMISCHE ANTENNEN BAND III - UHF

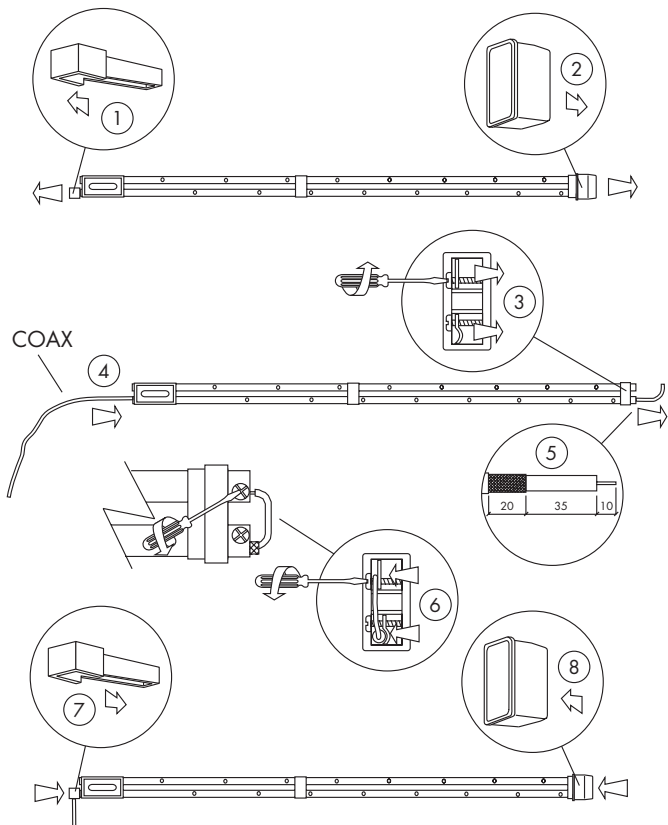


**SERIE/RANGE 900**

**CARACTERISTICAS PRINCIPALES****MAIN FEATURES****PRINCIPALES CARACTERISTIQUES****CARACTERISTICAS PRINCIPAIS****WESENTLICHE KENNZEICHEN**

CODIGO-CODE-CODE-CODIGO-CODE		9000050	
TIPO-TYPE-TYPE-TIPO-TYP		BU-259	
CANALES CHANNELS CANAUX CANALS KANALE	MHz	174-233	470-862
		E5 - E12 L5 - L10	21 - 69
GANANCIA GAIN GAIN GANHO VERSTÄRKUNG	dB	6,5	8,5
IMPEDANCIA IMPEDANCE IMPEDANCE IMPEDANCIA IMPEDANZ	$\Omega$	75	
R.O.E. S.W.R. T.O.S. R.O.E. S.W.R.		$\leq 2$	
ANGULO DE APERTURA BEAM WIDTH ANGLE D'OUVERTURE ANGULO DE ABERTURA STRAHLUNGSWINKEL	$^{\circ}$ H	50	
	$^{\circ}$ V	-	
RELACION DELANTE / DETRAS FRONT / BACK RATIO RAPPORT AVANT / ARRIERE RELAÇÃO FRENTE / COSTAS VERHÄLTNIS VORDERSEITE/RÜCKSEITE	dB	20	
POLARIZACION POLARISATION POLARISATION POLARISACAO POLARISATION		HOR	
LONGITUD LENGHT LONGUEUR COMPRIMENTO LÄNGE	mm	1200	
RESISTENCIA AL VIENTO WIND LOADING RESISTANCE AU VENT RESISTÊNCIA AO VIENTO WINDLAST	N	H	22
		V	30

- ▶ COMO CONECTAR EL CABLE COAXIAL
- ▶ HOW TO CONNECT THE COAXIAL CABLE
- ▶ COMMENT CONNECTER LE CABLE COAXIAL
- ▶ COMO CONECTAR O CABO COAXIAL
- ▶ WIE SCHALTET MAN DAS KOAXIAL-KABEL





## DECLARATION OF CONFORMITY

according to EN 45014

**Manufacturer's Name:** ALCAD, S.A.  
**Manufacturer's Address:** Pol. Ind. Arreche-Ugalde, 1  
Apdo. 455  
**20305 IRUN** (Guipúzcoa)  
**SPAIN**

declares that the product

**Product Name:** 900 Series: ANTENNAS

**Model Number(s):** BU-259

**Product Option(s):** INCLUDING ALL OPTIONS

is in conformity with:

Safety: EN50083-1

Technical Features : EN50083-1 / EN50083-5

### Supplementary Information:

The product herewith complies with the requirements of the EMC Directive 89/336/EEC and their relevant amendments, gathered under the directives 93/68/EEC.

Note: to comply with these directives, do not use the products without covers and operate the system as specified.



Irún,

1-10-02

Date

Anton Galarza / General Manager



**ALCAD, S.A.**  
Tel. 943 63 96 60  
Fax 943 63 92 66  
Int. Tel. +34 - 943 63 96 60  
info@alcad.net  
Apdo. 455 - Pol. Ind. Arreche-Ugalde, 1  
**20305 IRUN** - Spain

[www.alcad.net](http://www.alcad.net)

**FRANCE** - Hendaye  
Tel. 00 34 - 943 63 96 60

**PORTUGAL** - Lisboa  
Tel. 21 - 716 10 36

**GERMANY** - Munich  
Tel. 089 73 30 64

**CZECH REPUBLIC** - Ostrovačice  
Tel. 546 427 059



ISO 9001



ER-196/1/96