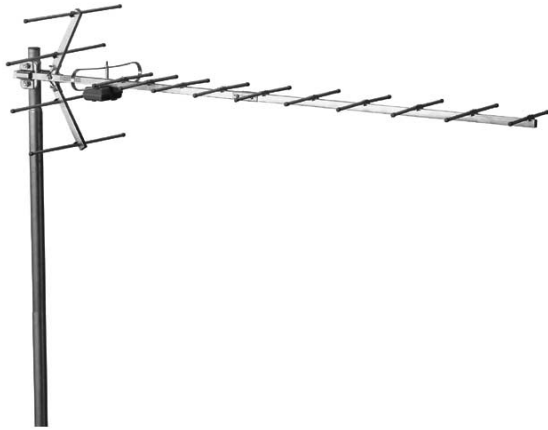
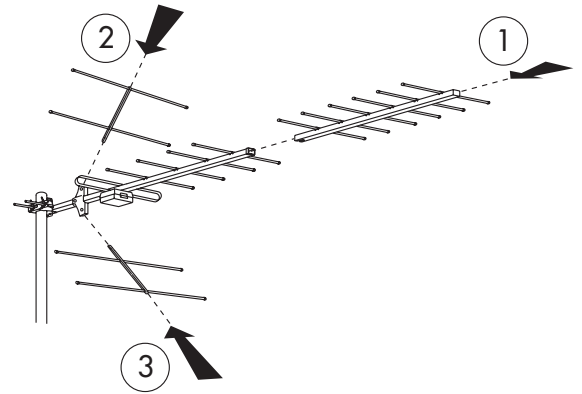




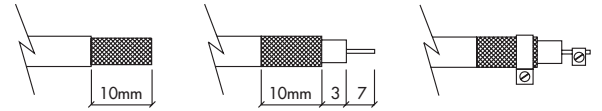
CÓMO MONTAR LA ANTENA BU-229/238/147/347/469
 HOW TO MOUNT THE ANTENNA BU-229/238/147/347/469
 COMMENT MONTER L'ANTENNE BU-229/238/147/347/469

ANTENAS TV BANDA UHF
 TV ANTENNAS UHF BAND
 ANTENNES TV BANDE UHF



CÓMO PREPARAR EL CABLE COAXIAL
 HOW TO PREPARE THE COAXIAL CABLE
 COMMENT PREPARER LE CÂBLE COAXIAL

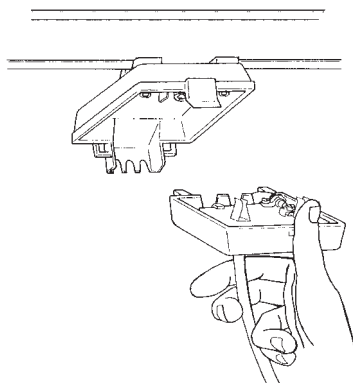
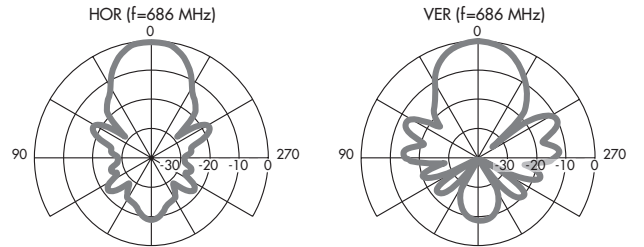
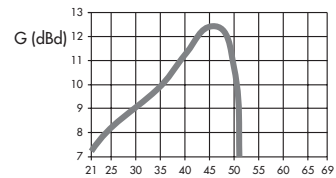
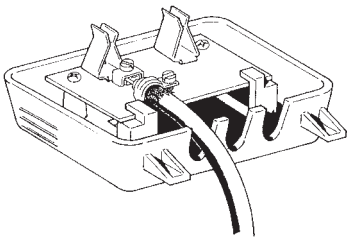
SERIE 900 SERIES



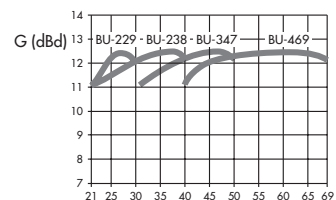
CÓMO MONTAR LA CAJA DEL DIPOLO
 HOW TO MOUNT THE DIPOLE BOX
 COMMENT MONTER LE BOITIER DU DIPOLE

CURVA DE GANANCIA Y DIAGRAMAS DE RADIACIÓN
 GAIN AND RADIATION GRAPHICS
 COURBE DU GAIN ET DIAGRAMME DE RAYONNEMENT

BU-147



BU-229/238/347/469



CÓDIGO-CODE-CODE	9000051	9000052	9000033	9000053	9000055		
MODELO-MODEL-MODELE	BU-229	BU-238	BU-147	BU-347	BU-469		
Rango de frecuencias Frequency range Gamme de fréquences	MHz	470-542	486-686	470-686	598-686	646-862	
Canales Channels Canaux		21-29	23-38	21-47	37-47	43-69	
Ganancia Gain Gain	dBd	12,5					
Relación delante/detrás Front/back ratio Rapport avant/arriere	dB	20					
Impedancia Impedance Impédance	Ω	75					
Pérdidas de retorno Return loss Pertes de retour	dB	$\geq 9,5$					
Polarización Polarity Polarisation		HOR /VER					
Ángulo de apertura Beam width Angle d'ouverture	$^{\circ}$ H	37	34	37			
	$^{\circ}$ V	41	36	41			
Longitud Length Longueur	mm	1470	1435	1465	1320		
Resistencia al viento Wind loading Résistance au vent	N	H	45	44	45	40	39
	V	54	50	50	44	40	

Todas las antenas incorporan simetizador.
All antennas supplied with matching transformer.
Toutes les antennes ont un symétriseur.

Data published in compliance with the definitions and measurement methods of the following standards: EN 50083-3, EN 50083-4 and EN 50083-5



DECLARATION OF CONFORMITY

according to EN ISO/IEC 17050-1:2004

Manufacturer's Name: ALCAD, S.A.

Manufacturer's Address: Pol. Ind. Arreche-Ugalde, 1
Apdo. 455
20305 IRUN (Guipúzcoa)
SPAIN

declares that the product

Product Name: 900 Series: ANTENNAS
Model Number(s): BU-229, BU-238, BU-147, BU-347, BU-469

Product Option(s): INCLUDING ALL OPTIONS

is in conformity with:
Safety: EN 50083-1:1993

Supplementary Information:

The product herewith complies with the requirements of the Low Voltage Directive 2006/95/CE and the EMC Directive 89/336/EEC and their relevant amendments, gathered under the directive 93/68/EEC.

Note: to comply with these directives, do not use the products without covers and operate the system as specified.



Irún,

23-03-07

Date

Anton Galarza / General Manager

Especificaciones sujetas a modificación sin previo aviso
Specifications subject to modifications without prior notice
Les spécifications sont soumises à de possible modifications sans avis préalable



ALCAD, S.A.
Tel. 943 63 96 60
Fax 943 63 92 66
Int. Tel. +34 - 943 63 96 60
info@alcad.net
Apdo. 455 - Pol. Ind. Arreche-Ugalde,1
20305 IRUN - Spain

www.alcad.net

FRANCE - Hendaye
Tel. 00 34 - 943 63 96 60

GERMANY - Munich
Tel. 089 55 26 480

CZECH REPUBLIC - Ostrovačice
Tel. 546 427 063

UNITED ARAB EMIRATES - Dubai
Tel. 971 4 887 19 50



ISO 9001

