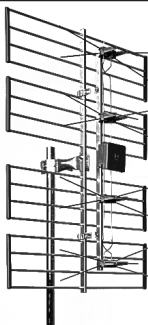




- ▶ ANTENAS TV BANDA UHF
- ▶ TV ANTENNAS UHF BAND
- ▶ ANTENNES TV BANDE UHF
- ▶ ANTENAS TV BANDA UHF
- ▶ UHF ANTENNEN



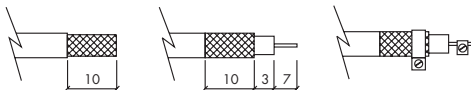
SERIE/RANGE 900

CARACTERISTICAS PRINCIPALES**MAIN FEATURES****PRINCIPALES CARACTERISTIQUES****CARACTERISTICAS PRINCIPAIS****WESENTLICHE KENNZEICHEN**

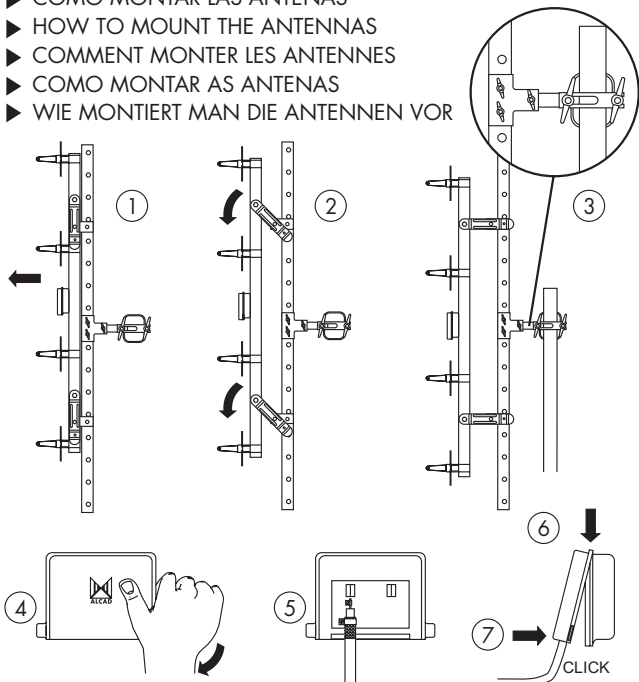
CODIGO-CODE-CODE-CODIGO-CODE		90057	
TIPO-TYPE-TYPE-TIPO-TYP		AP-369	
CANALES CHANNELS CANAUX CANALS KANALE	MHz	470-862	
		21 - 69	
GANANCIA GAIN GAIN GANHO VERSTÄRKUNG	dB	13,5	
IMPEDANCIA IMPEDANCE IMPEDANCE IMPEDANCIA IMPEDANZ	Ω	75	
R.O.E. S.W.R. T.O.S. R.O.E. S.W.R.		≤ 2	
ANGULO DE APERTURA BEAM WIDTH ANGLE D'OUVERTURE ANGULO DE ABERTURA STRAHLUNGSWINKEL	$^{\circ}$ H	46	
	$^{\circ}$ V	27	
RELACION DELANTE / DETRAS FRONT / BACK RATIO RAPPORT AVANT / ARRIERE RELAÇÃO FRENTE / COSTAS VERHÄLTNIS VORDERSEITE/RÜCKSEITE	dB	20	
POLARIZACION POLARISATION POLARISATION POLARISACAO POLARISATION		HOR	
ALTURA / ANCHURA HEIGHT / WIDTH HAUTEUR / LARGEUR ALTURA / LARGO HOCH / BREIT	mm	830x645	
RESISTENCIA AL VIENTO WIND LOADING RESISTANCE AU VENT RESISTÊNCIA AO VIENTO WINDLAST	N	H	70
		V	52

- ▶ Todas las antenas incorporan simetrizador.
- ▶ All antennas supplied with matching transformer.
- ▶ Toutes les antennes ont un symétriseur.
- ▶ Todas as antenas incorporam transformador de impedancia.
- ▶ Alle Antennen haben ein integriertes Symmetrieglied/Ausgleichstransformator.

- ▶ COMO PREPARAR EL CABLE COAXIAL
- ▶ HOW TO PREPARE THE COAXIAL CABLE
- ▶ COMMENT PREPARER LE CABLE COAXIAL
- ▶ COMO PREPARAR O CABO COAXIAL
- ▶ WIE BEREITET MAN DAS KOAXIAL-KABEL



- ▶ COMO MONTAR LAS ANTENNAS
- ▶ HOW TO MOUNT THE ANTENNAS
- ▶ COMMENT MONTER LES ANTENNES
- ▶ COMO MONTAR AS ANTENAS
- ▶ WIE MONTIERT MAN DIE ANTENNEN VOR





DECLARATION OF CONFORMITY

according to EN 45014

Manufacturer's Name: ALCAD, S.A.
Manufacturer's Address: Polígono Industrial de Ventas
C/Gabiria, 15 - Apdo. 455
20305 IRUN (Guipúzcoa)
SPAIN

declares that the product

Product Name: 900 Series: ANTENNAS

Model Number(s): AP-369

Product Option(s): INCLUDING ALL OPTIONS

is in conformity with:

Safety: EN50083-1

Technical Features : EN50083-1 / EN50083-5

Supplementary Information:

The product herewith complies with the requirements of the EMC Directive 89/336/EEC and their relevant amendments, gathered under the directives 93/68/EEC.

Note: to comply with these directives, do not use the products without covers and operate the system as specified.



Irún,

15-05-01

Date

Anton Galarza / General Manager



ALCAD, S.A.
Tel. 943 63 96 60
Fax 943 63 92 66
Int. Tel. +34 - 943 63 96 60
alcad001@sarenet.es
Apdo. 455 - C/GABIRIA, 15
20305 IRUN - Spain
Tel. 21 - 716 10 36
Fax 21 - 716 41 09
R. Dr. JOAQUIM MANSO, 12A
1500 LISBOA - Portugal

Tel. 00 34 - 943 63 96 60
Fax 00 34 - 943 63 92 66
B.P. 284
64702 HENDAYE - France

Tel. 080 38 - 91 73
Fax 080 38 - 91 74
HOLZHAUSEN, 11
83556 GRIESSTATT - Deutschland



ISO 9001

